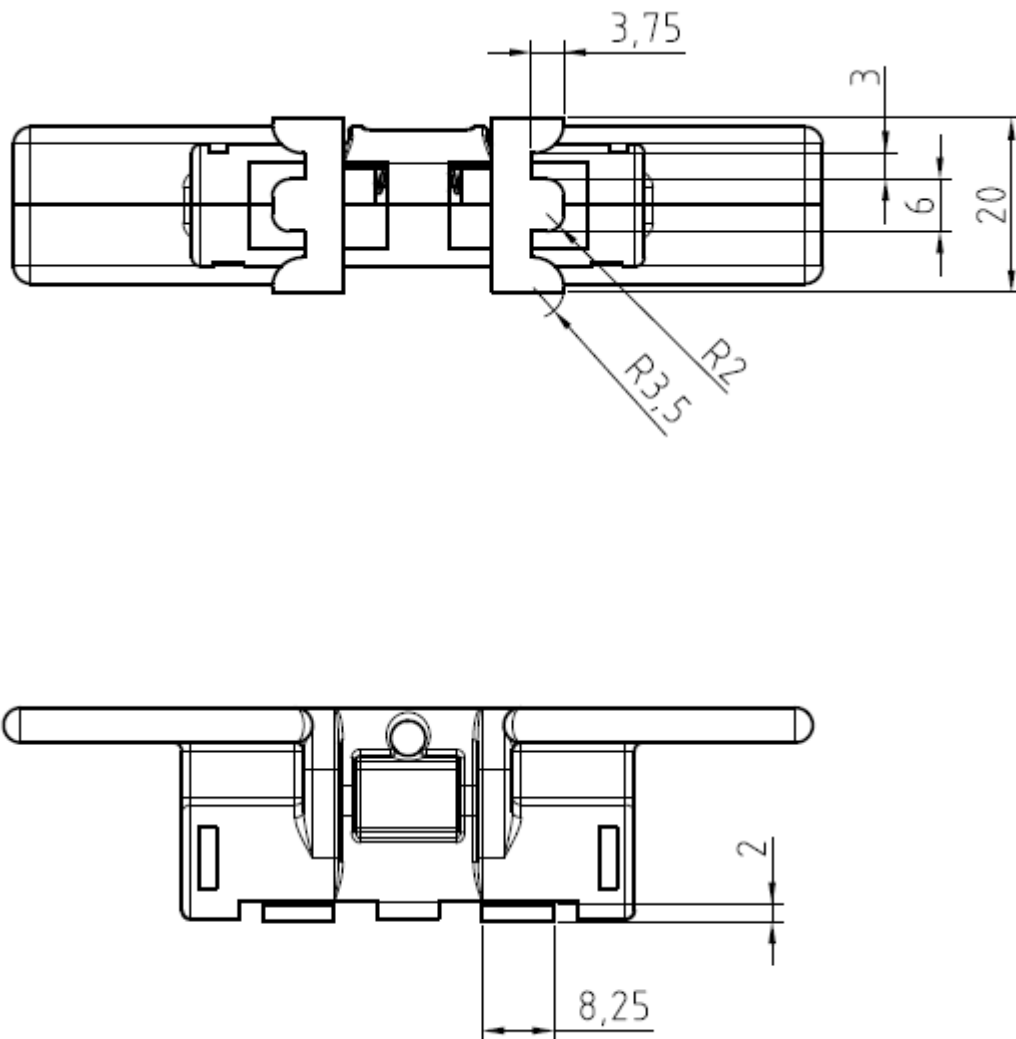


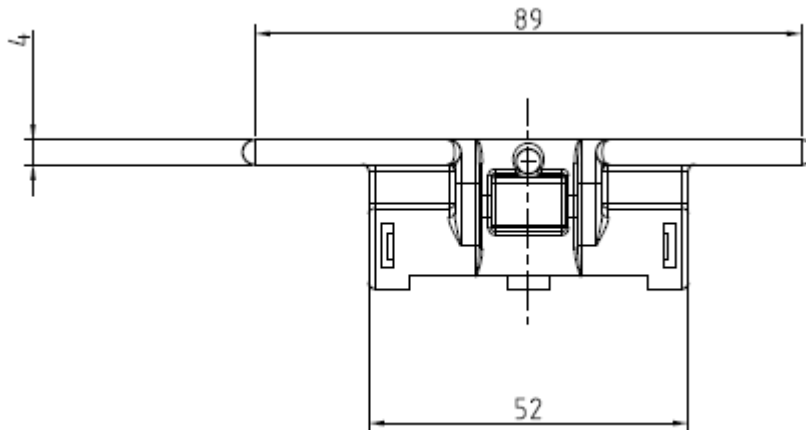
The **ZN-SID** can be used to secure and provide safe isolation of a circuit that uses blade type fuse carriers/holders. When used with ZN Safety padlock and warning tag will ensure compliance with the following:

- Electricity at Work Regulations 1989 **(UK)**
- Provision and Use of Work Equipment Regulations 1998 **(UK)**
- Safety, Health and Welfare at work 2007 Reg 34 **(IRELAND)**
- EU Guidelines 89/655 **(EU)**
- Use of work equipment CEE 89/655**(EU)**
- EN 1037 Safety of machinery – Prevention of unexpected start-up**(EU)**
- Occupational Safety and Health Administration **(USA)**
OSHA 29 CFR 1910 . 147 ©(4)(ii)(A)(1)/(c) (5)(ii)(C)(1)
- American Society of Safety Professionals Z244 **(USA)**

Material	Crastin HR5330HF NC010-PBT-I-GF30	
Colour	Red	
Electrical	CTI 475(450) – <1.	Pass
	HIPOT 12Kv for 1 minute	Pass



*Values shown are millimetres



***Values shown are millimetres**

Warranty

Note: All values shown are averages and should not be used for specification purposes. Test data and test results contained in this document are for general information only and shall not be relied upon by ZennerNetworks customers for designs and specifications, or be relied upon as meeting specified performance criteria.

Customers desiring to develop specifications or performance criteria for specific product applications should contact info@zennernetworks.com for further information.

Product compliance information is based upon information provided by suppliers of the raw materials used by us to manufacture this product or based on results of testing using recognized analytical methods performed by a third party, independent laboratory. As such, ZennerNetworks makes no independent representations or warranties expressed or implied, and assumes no liability in connection with the use of this information.

<http://www.zn-sid.com>

info@zennernetworks.com

Patent Number GB2551421

Zenner-Networks ltd - registered England and Wales: 08656219 VAT: 273815976